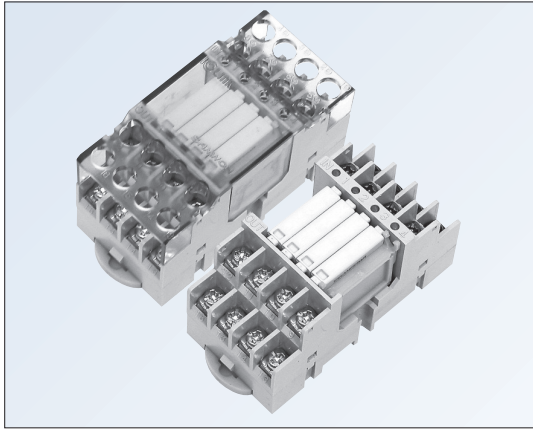


# R4T-S Series (4 Points, mini-size)

4Points General purpose Relay Board (2 Models mounting NYP-24W-K / PA1a-24V Relay respectively available)

2



### ■ Features

- Mini-sized 4Points Relay Board  
Domestically Smallest General Relay Board (size 32.3mm, length 67.0mm)
- 2 Models mounting Takamisawa / Panasonic Relay respectively available  
Reliable High-endurance typed and economy-typed relay board suitable for inductive load, load that is frequently opened/closed, load having lots of noise
- Convenient Functions for the benefits of users
  - As a contact LED is attached, it is easy to check the state of motion
  - It has a structure allowing to be mounted on DIN Rail and mounting plate, and has a good workability
  - As a tool for the replacement of relay is basically supplied, it is easy to maintain and repair it.
  - As it is possible to use a built-in Common bar, it is easy to carry out wiring.

### ■ Model Selection

Model	Installation Relay	Point(s)	Rated voltage	Common		Interface		Dimension (W*D mm)	Mounting method
				Coil	Contact	Coil	Contact		
R4T-YC	TAKAMISAWA NYP-24W-K	4Point (1a*4)	24V DC	Individual power supply	Individual common	Screw terminal 7.62mm Pitch		32.3*67.0	Screw mounting/DIN Rail (Channel)
R4T-16P-S	PANASONIC PA1a-24V								

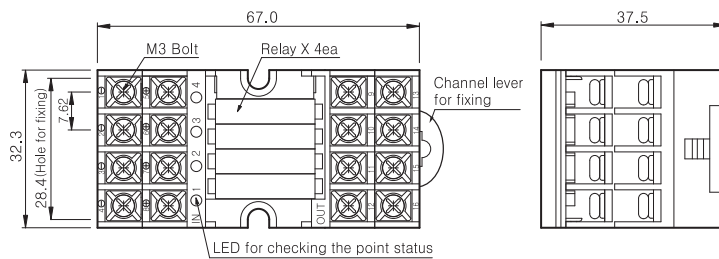
### ■ NYP / PA Relay specifications

Item		NYP-24W-K	PA1a-24V
Contact	Arrangement	1a	1a
	Nominal switching capacity(resistive load)	5A 250V AC/5A 30V DC	5A 250V AC/5A 30V DC
	Max. switching current	5A	5A
	Max. switching voltage	270V AC/150V DC	250V AC/110V DC
Coil	Nominal voltage	24V DC	24V DC
	Pick-up voltage	16.1V DC	16.8V
	Drop-out voltage	2.4V DC	1.2V DC
	Coil resistance	4,800Ω	3,200Ω
	Nominal operation power	120mW	180mW
Surge voltage between contact and coil		5,080V	4,000V
Initial breakdown voltage between contact and coil		3,000V AC 1min	2,000V rms
Country of origin		JAPAN	CHINA

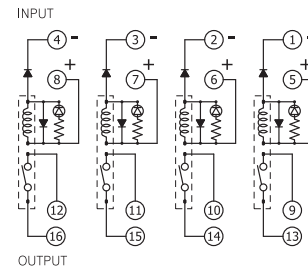
### ■ Material / Specification

Case	Modified PPO
Cover	Polycarbonate
P.C.B	Epoxy 1.6t / 2oz
Applicable wire	1.25mm <sup>2</sup> / MAX
Terminal Screw	M3 X 8L
Screw torque	1.2N · m(12Kgf · cm)
Ambient temperature	-10°C ~ +50°C

### ■ Dimension

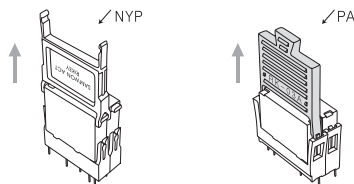


### ■ Wiring diagram



### ■ How to replace a Relay

(Tool for the replacement of a relay is built in)



### ■ Component

- 4Pole Short bar(2ea)



### ■ Applicable crimp terminal

